

Figure 1

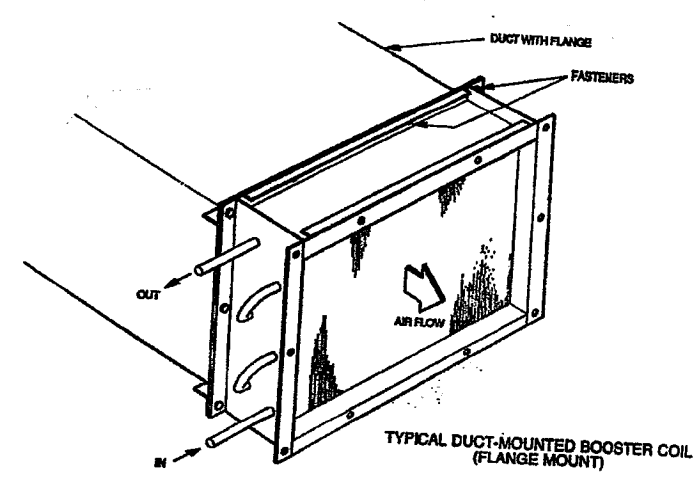


Figure 2

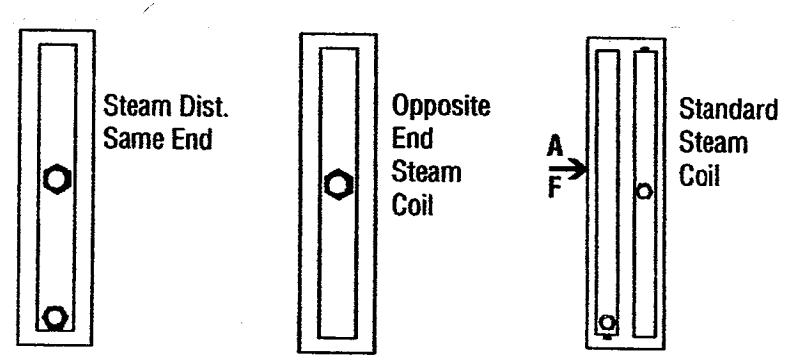
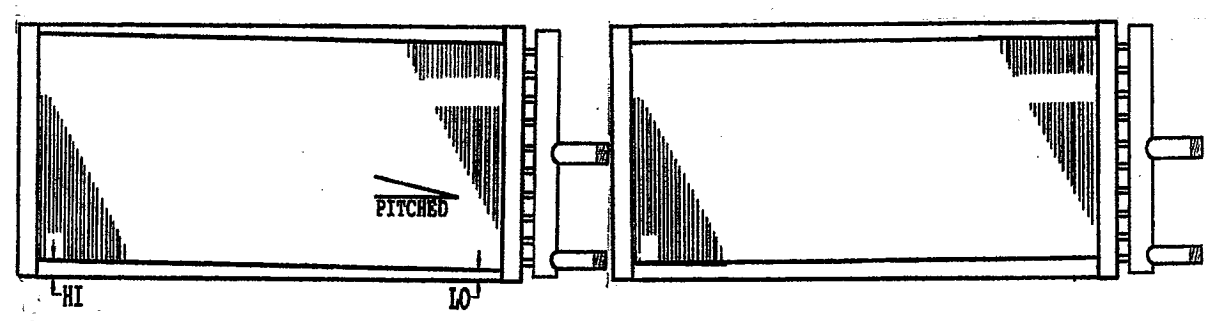


Figure 3



4a
Install level as casing is pitched

4b
Install with pitch at least an 1/8"-1/4" per foot

Figure 4