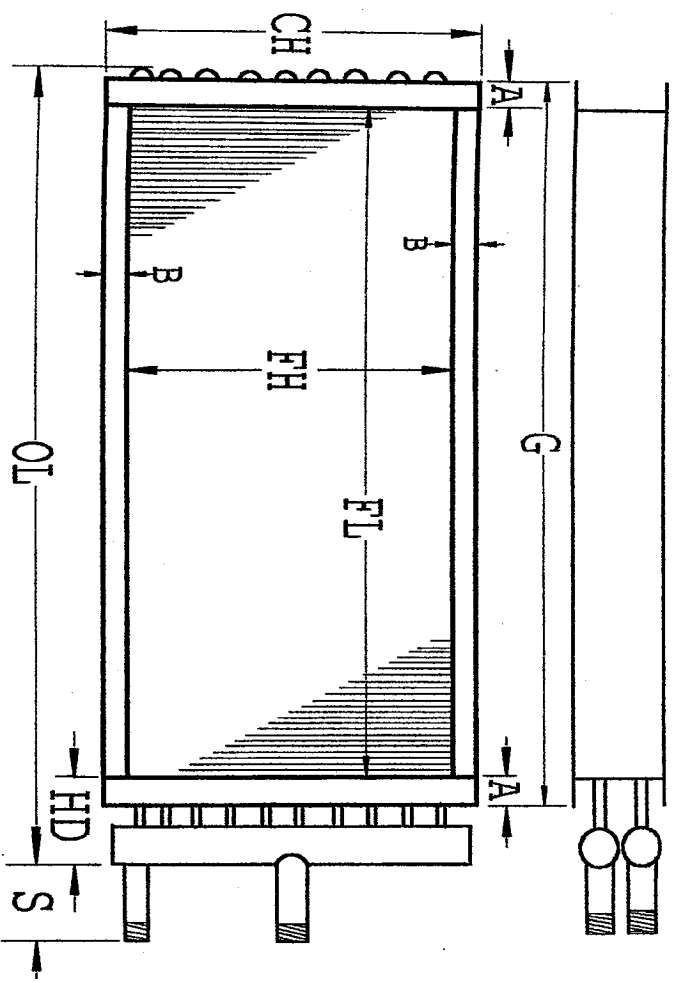


STANDARD
STEAM
COILS



ITEM QTY	TAG:	ROW	FPI	FH	FL	A	B	CH	G	OL	CD	S	HA	HB	CT	CB	HD	CKT	HAND
1																			
2																			
3																			
4																			
5																			

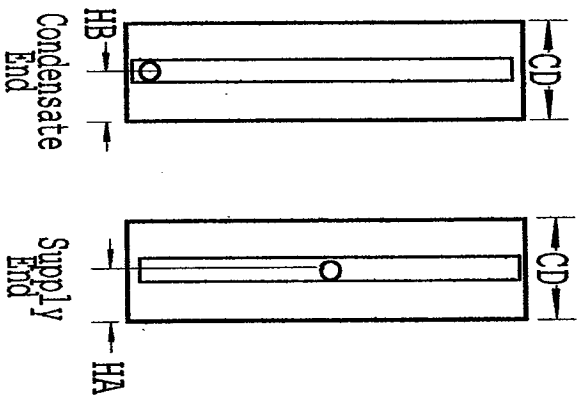
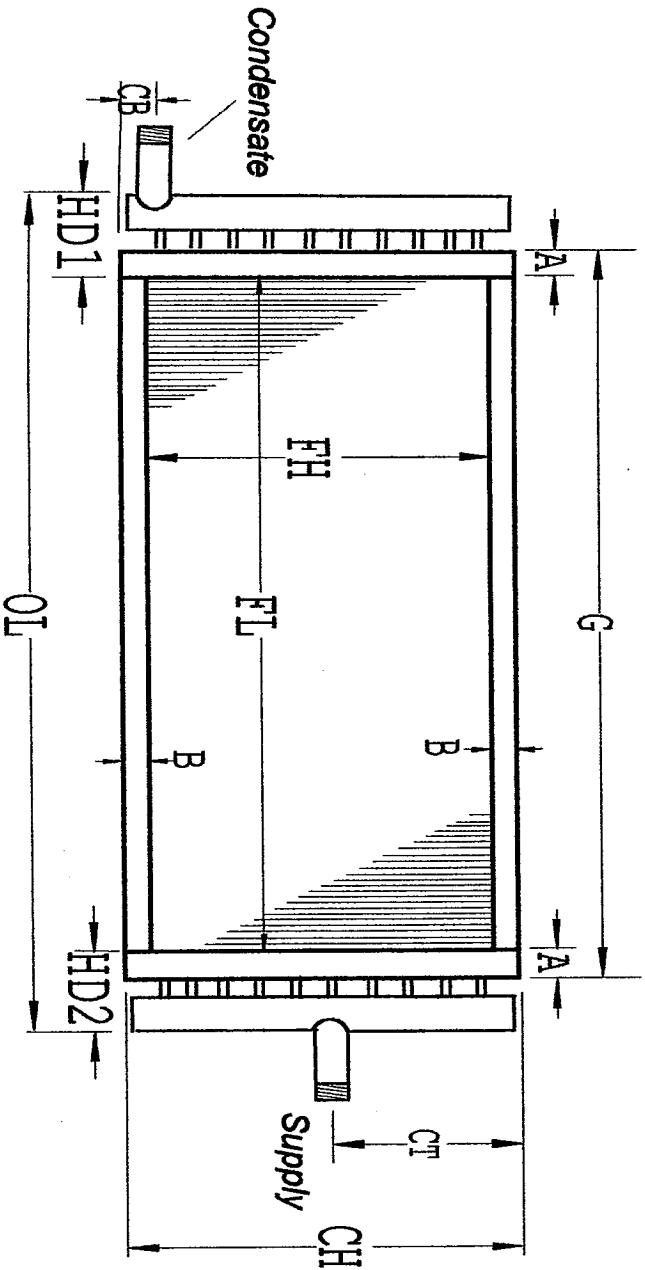
FINNS TUBES CASING CONNECTIONS NOTES

<input type="checkbox"/> Flat	<input type="checkbox"/> Corr	<input type="checkbox"/> 1/2	<input type="checkbox"/> 5/8	<input type="checkbox"/> 18 GA	<input type="checkbox"/> 16 GA	<input type="checkbox"/> CU	<input type="checkbox"/> Steel	<input type="checkbox"/> MPT	<input type="checkbox"/> FPT	<input type="checkbox"/> Sweat								
<input type="checkbox"/> Alum	<input type="checkbox"/> .006	<input type="checkbox"/> .025	<input type="checkbox"/> .025	<input type="checkbox"/> GALV	<input type="checkbox"/> SS	ITEM	Supply	Return	HDR DIA									
<input type="checkbox"/> .008	<input type="checkbox"/> .032	<input type="checkbox"/> .035	OTHER:			1												
<input type="checkbox"/> CU	<input type="checkbox"/> .010	<input type="checkbox"/> .049	Flange Type			2												
			Stacking Standard			3												
						4												
						5												

SFI Solutions
For Industry Inc.
PH (800) 430-2536
FAX (800) 718-3738

Opposite End
Connections

- Standard Steam
- Steam Distributing



OTY TAG:	ROW	FPT	FH	FL	A	B	CH	OL	G	CD	S	HA	HB	CT	CB	HD1	HD2
----------	-----	-----	----	----	---	---	----	----	---	----	---	----	----	----	----	-----	-----

FINS	TUBES	CASING	CONNECTIONS	NOTES
-------------	--------------	---------------	--------------------	--------------

<input type="checkbox"/> Flat	<input type="checkbox"/> Corr	<input type="checkbox"/> 1"	<input type="checkbox"/> 5/8	<input type="checkbox"/> 18 GA	<input type="checkbox"/> 16 GA	<input type="checkbox"/> CU	<input type="checkbox"/> Steel	<input type="checkbox"/> MPT	<input type="checkbox"/> FPT
-------------------------------	-------------------------------	-----------------------------	------------------------------	--------------------------------	--------------------------------	-----------------------------	--------------------------------	------------------------------	------------------------------

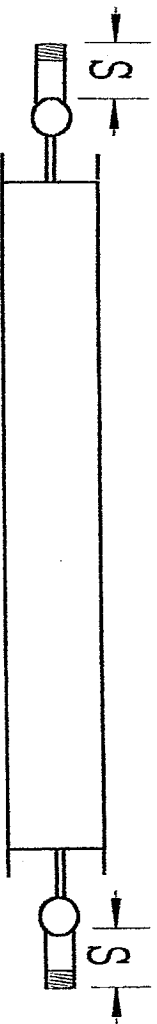
<input type="checkbox"/> Alum	<input type="checkbox"/> .006	<input type="checkbox"/> .025	<input type="checkbox"/> GALV	<input type="checkbox"/> SS
-------------------------------	-------------------------------	-------------------------------	-------------------------------	-----------------------------

<input type="checkbox"/> .008	<input type="checkbox"/> .035	<input type="checkbox"/> .035	OTHER:	
-------------------------------	-------------------------------	-------------------------------	---------------	--

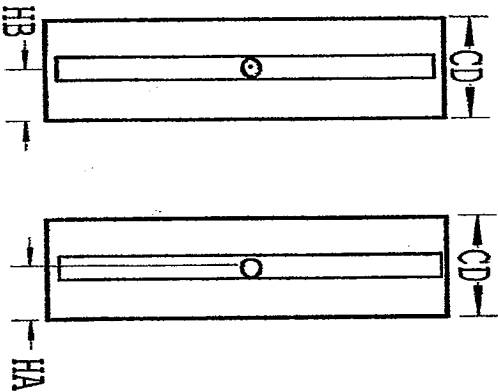
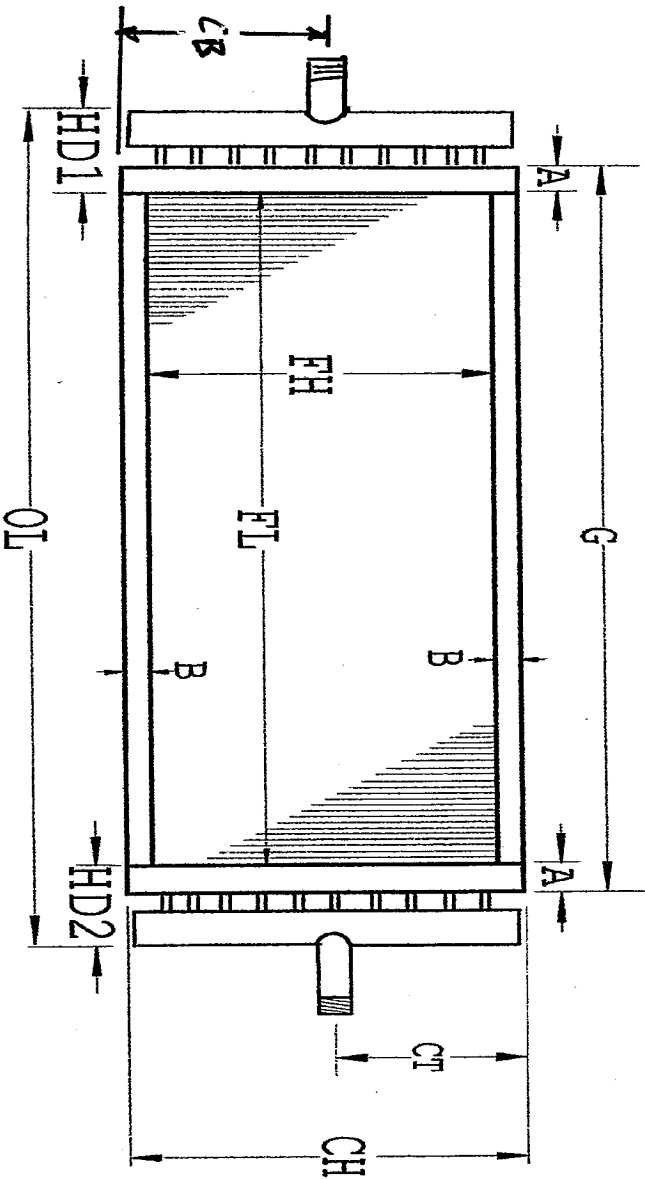
<input type="checkbox"/> CU	<input type="checkbox"/> .010	<input type="checkbox"/> .049	<input type="checkbox"/> .049	Flange Type
-----------------------------	-------------------------------	-------------------------------	-------------------------------	-------------

<input type="checkbox"/>	<input type="checkbox"/>	<input type="checkbox"/>	<input type="checkbox"/>	Stacking Standard
--------------------------	--------------------------	--------------------------	--------------------------	-------------------

--	--	--	--	--	--	--	--	--	--	--	--	--	--	--	--	--



Opposite End
Connections
(VERTICAL AIRFLOW OR
VERTICAL TURB)



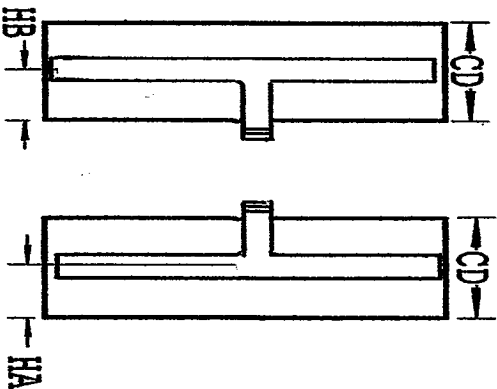
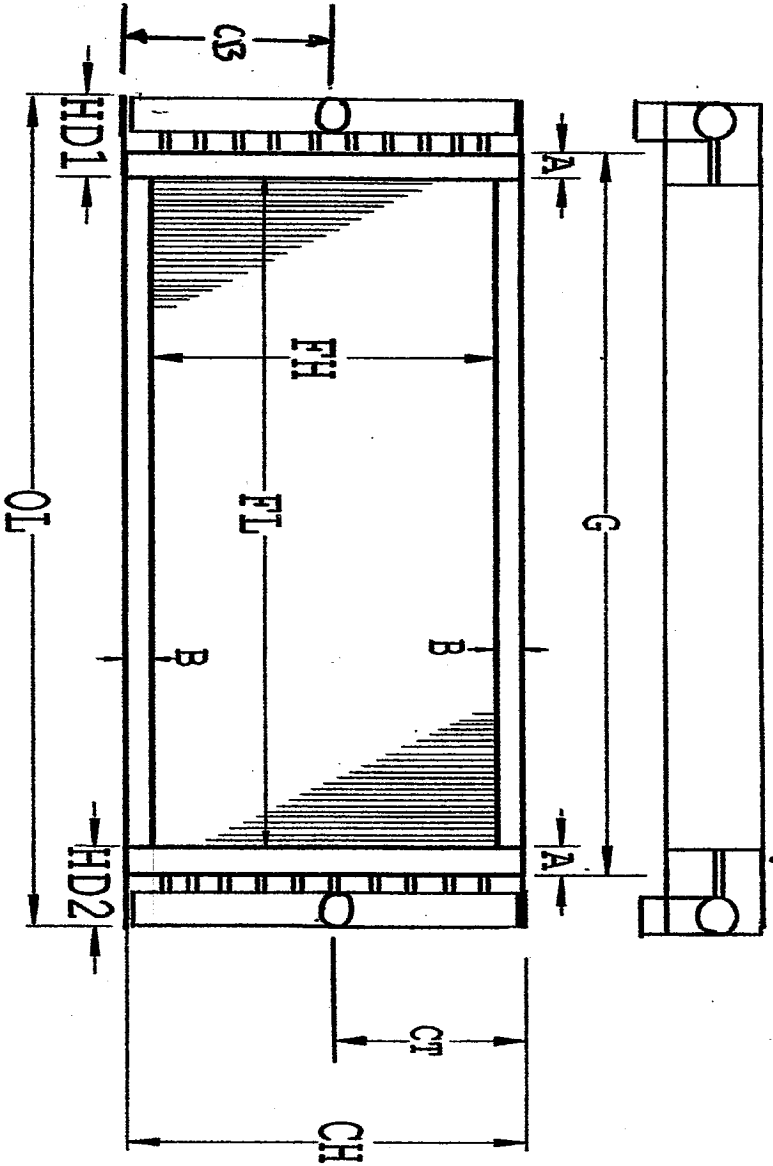
QTY	TAG:	ROW	FPI	FH	FL	A	B	CH	OL	G	CD	S	HA	HB	CT	CB	HD1	HD2		
FTNS		TUBES		CASING		CONNECTIONS			NOTES											
<input type="checkbox"/> Flat	<input type="checkbox"/> Corr	<input type="checkbox"/> 1"	<input type="checkbox"/> 5/8	<input type="checkbox"/> 18 GA	<input type="checkbox"/> 16 GA	<input type="checkbox"/> CU	<input type="checkbox"/> Steel	<input type="checkbox"/> MPT	<input type="checkbox"/> FPP											
<input type="checkbox"/> Alum	<input type="checkbox"/> .006	<input type="checkbox"/> .025	<input type="checkbox"/> GALV	<input type="checkbox"/> SS	Supply															
<input type="checkbox"/> CU	<input type="checkbox"/> .010	<input type="checkbox"/> .035	<input type="checkbox"/> .049	OTHER: Flange Type			Return													
		<input type="checkbox"/> .035	<input type="checkbox"/> .049	Stacking Standard			Hdr Dia													



PH (800) 430-2536
 FAX (800) 718-3738

FLAT SHEET METAL - TYPICAL
 TOP & BOTTOM

Opposite End
 Connections



QTY TAG:	ROW	FPT	FH	FL	A	B	CH	OL	G	CD	S	HA	HB	CT	CB	HD1	HD2
FINIS		TUBES		CASING		CONNECTIONS				NOTES							
<input type="checkbox"/> Flat	<input type="checkbox"/> Corr	<input type="checkbox"/> 1"	<input type="checkbox"/> 5/8	<input type="checkbox"/> 18 GA	<input type="checkbox"/> 16 GA	<input type="checkbox"/> CU	<input type="checkbox"/> Steel	<input type="checkbox"/> MPR	<input type="checkbox"/> FPT								
<input type="checkbox"/> Alum	<input type="checkbox"/> .006	<input type="checkbox"/> .008	<input type="checkbox"/> .035	<input type="checkbox"/> .025	<input type="checkbox"/> .035	<input type="checkbox"/> GALV	<input type="checkbox"/> SS	Supply									
<input type="checkbox"/> CU	<input type="checkbox"/> .010	<input type="checkbox"/> .049	<input type="checkbox"/> .049	OTHER:		Flange Type		Return									
				Stacking		Standard		Hdr Dia									