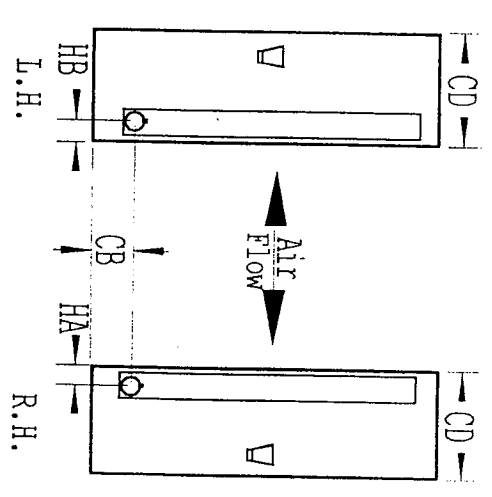
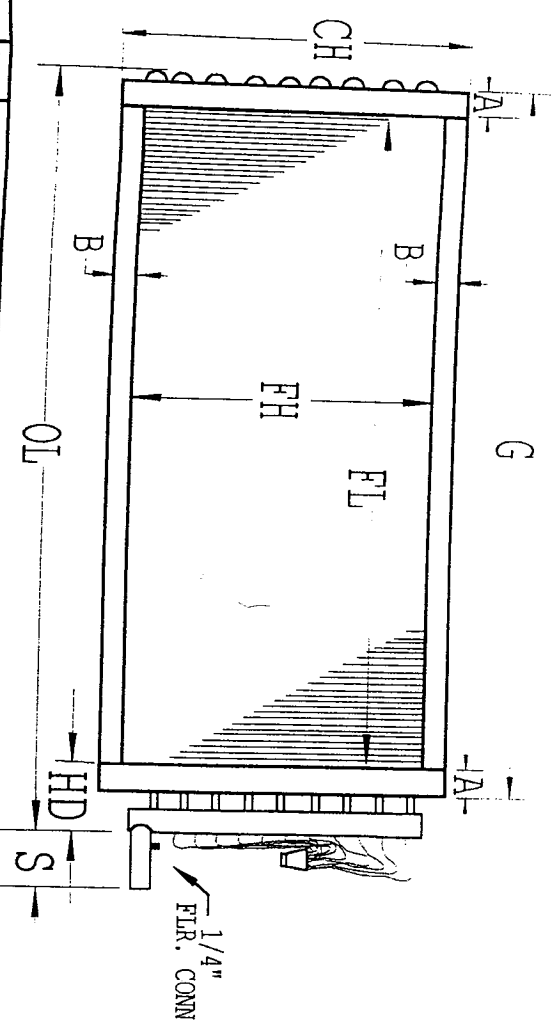


**SFI** Solutions For Industry Inc.  
 PH (800) 430-2536  
 FAX (800) 718-3738  
 DIRECT EXPANSION COILS  
 SINGLE CIRCUIT

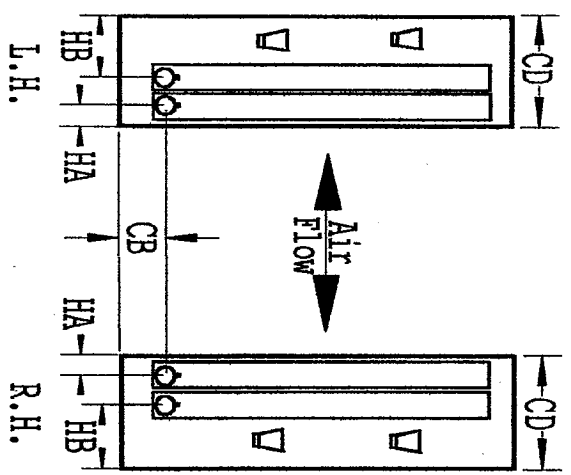
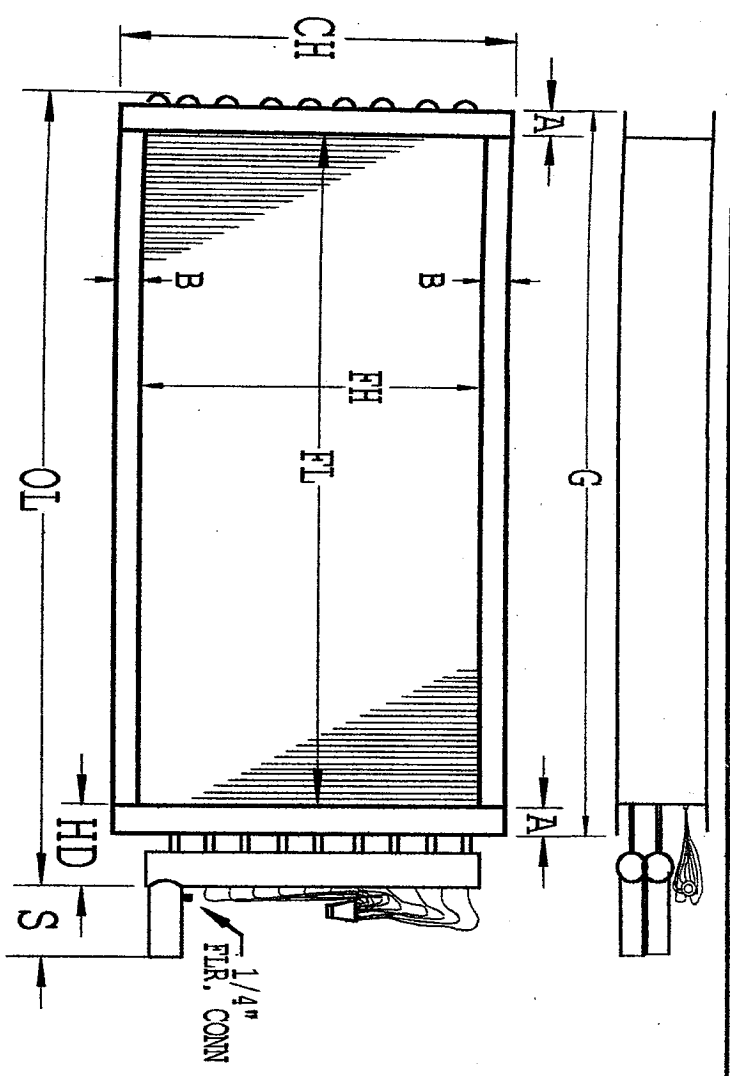


ITEM QTY	TAG:	ROW	FPI	FH	FL	A	B	CH	G	OL	CD	S	HA	HB	CB	HD	CKT	HAND
1																		
2																		
3																		
4																		
5																		

FINNS		TUBES		CASING		CONNECTIONS		NOTES
<input type="checkbox"/> Flat	<input type="checkbox"/> Corr	<input type="checkbox"/> 1/2	<input type="checkbox"/> 5/8	<input type="checkbox"/> 18 GA	<input type="checkbox"/> 16 GA	<input type="checkbox"/> Copper	<input type="checkbox"/> Sweat	
<input type="checkbox"/> Alum	<input type="checkbox"/> .006	<input type="checkbox"/> .017	<input type="checkbox"/> .020	<input type="checkbox"/> GALV	<input type="checkbox"/> SS	ITEM	Suction	Liquid
<input type="checkbox"/> .008	<input type="checkbox"/> .025	<input type="checkbox"/> .025	<input type="checkbox"/> .025	OTHER:		1		
<input type="checkbox"/> .010	<input type="checkbox"/> .032	<input type="checkbox"/> .035	<input type="checkbox"/> .049	Flange Type		2		
<input type="checkbox"/> CU	<input type="checkbox"/> .032	<input type="checkbox"/> .035	<input type="checkbox"/> .049	Stacking Standard		3		
						4		
						5		

DIRECT EXPANSION COILS  
DUAL CIRCUIT INTERMIXED

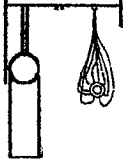


ITEM QTY	TAG:	ROW	FPI	FH	FL	A	B	CH	OL	G	CD	S	HA	HB	CB	HD	CKT	HAND
1																		
2																		
3																		
4																		
5																		

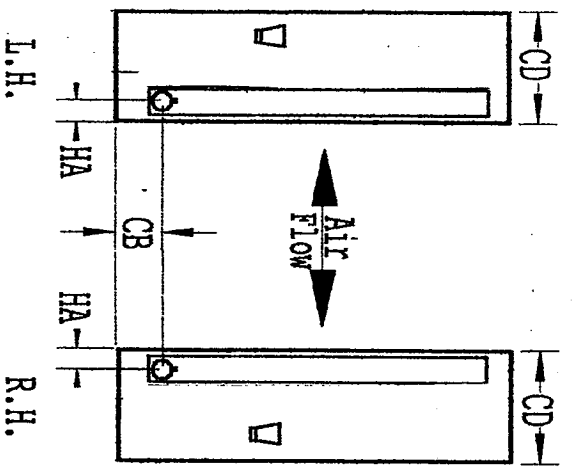
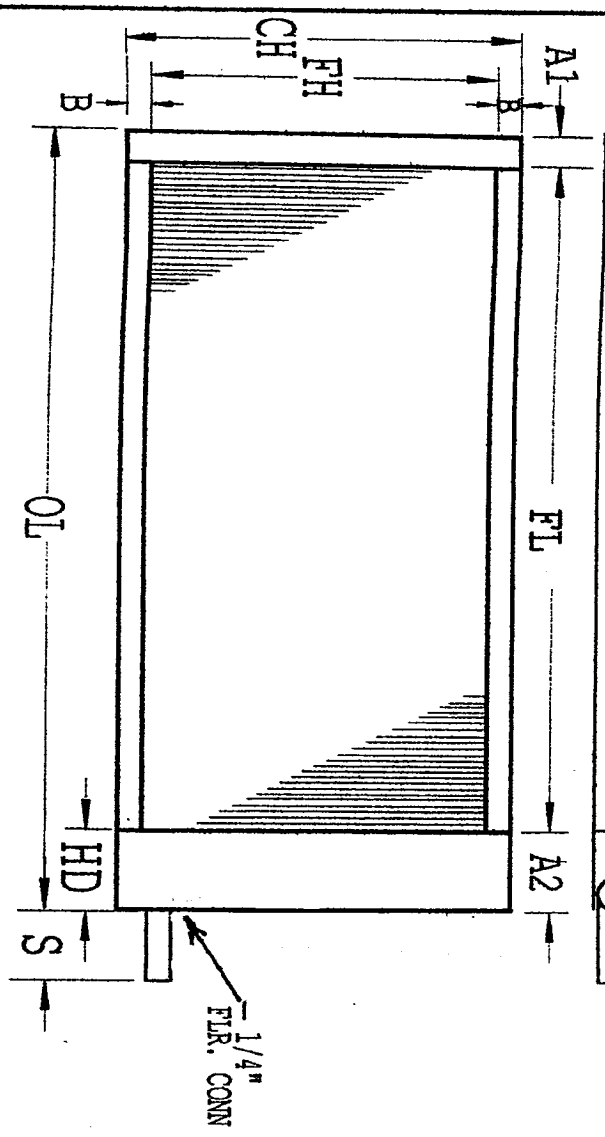
  

FINNS		TUBES		CASING		CONNECTIONS		NOTES
<input type="checkbox"/> Flat	<input type="checkbox"/> Corr	<input type="checkbox"/> 1/2	<input type="checkbox"/> 5/8	<input type="checkbox"/> 18 GA	<input type="checkbox"/> 16 GA	<input type="checkbox"/> Copper	<input type="checkbox"/> Sweat	
<input type="checkbox"/> Alum	<input type="checkbox"/> .006	<input type="checkbox"/> .017	<input type="checkbox"/> .020	<input type="checkbox"/> GALV	<input type="checkbox"/> SS	ITEM	Suction	Liquid
<input type="checkbox"/> .008	<input type="checkbox"/> .025	<input type="checkbox"/> .025	<input type="checkbox"/> .025	OTHER:		1		
<input type="checkbox"/> CU	<input type="checkbox"/> .010	<input type="checkbox"/> .032	<input type="checkbox"/> .035	Flange Type		2		
		<input type="checkbox"/> .049		Stacking	Standard	3		
						4		
						5		





PH (800) 430-2536 DIRECT EXPANSION COILS  
 FAX (972) 230-1828 ONE CIRCUIT



ITEM	QTY	TAG:	ROW	FPI	FH	FL	A1	A2	B	CH	OL	CD	S	HA	HB	CB	HD	CKT	HAND
1																			
2																			
3																			
4																			
5																			

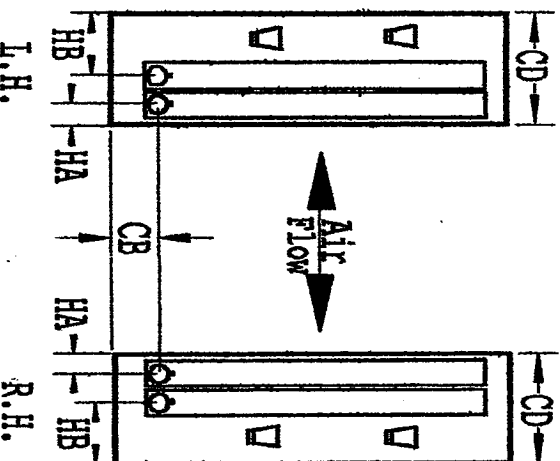
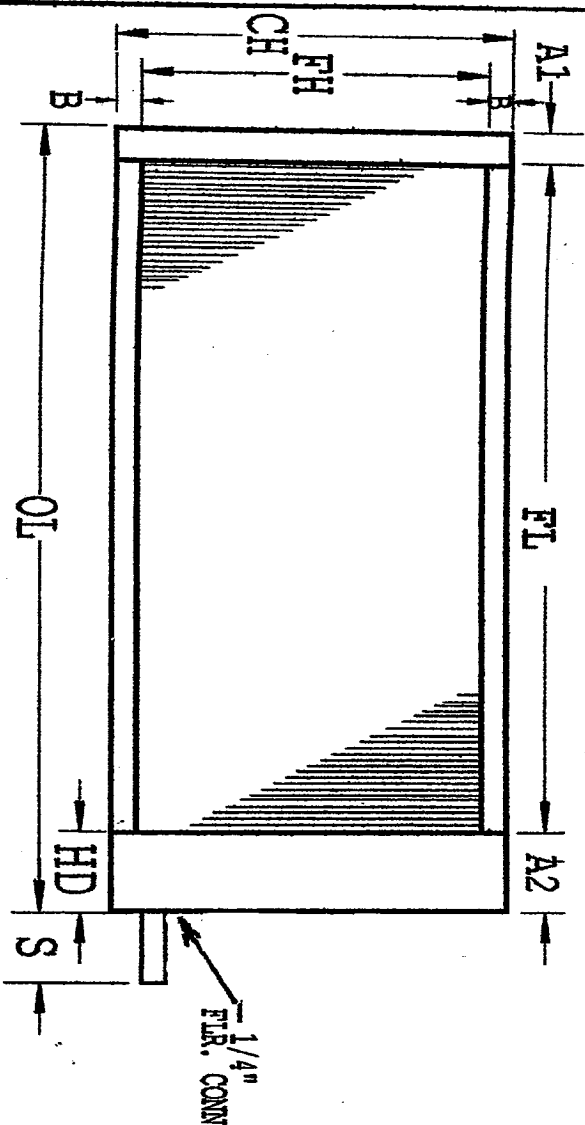
FINIS		TUBES		CASING		CONNECTIONS		NOTES
<input type="checkbox"/> Flat	<input type="checkbox"/> Corr	<input type="checkbox"/> 1/2	<input type="checkbox"/> 5/8	<input type="checkbox"/> 18 GA	<input type="checkbox"/> 16 GA	<input type="checkbox"/> Copper	<input type="checkbox"/> Sweat	
<input type="checkbox"/> Alum	<input type="checkbox"/> .006	<input type="checkbox"/> .017	<input type="checkbox"/> .020	<input type="checkbox"/> GALV	<input type="checkbox"/> SS	ITEM	Suction	Liquid
<input type="checkbox"/> .008	<input type="checkbox"/> .025	<input type="checkbox"/> .025	<input type="checkbox"/> .025	OTHER:		1		
<input type="checkbox"/> CU	<input type="checkbox"/> .010	<input type="checkbox"/> .032	<input type="checkbox"/> .035	Flange Type		2		
		<input type="checkbox"/> .049		Stacking Standard		3		
						4		
						5		



**SFI** Solutions For Industry Inc.

PH (800) 430-2536  
 FAX (972) 230-1828

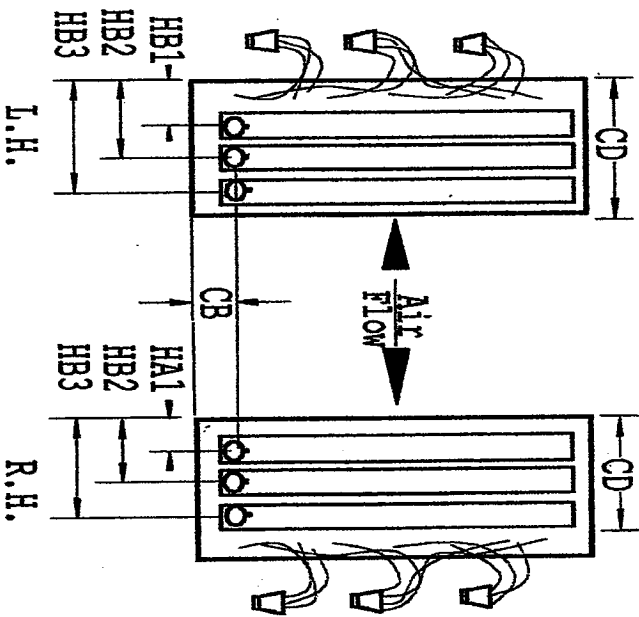
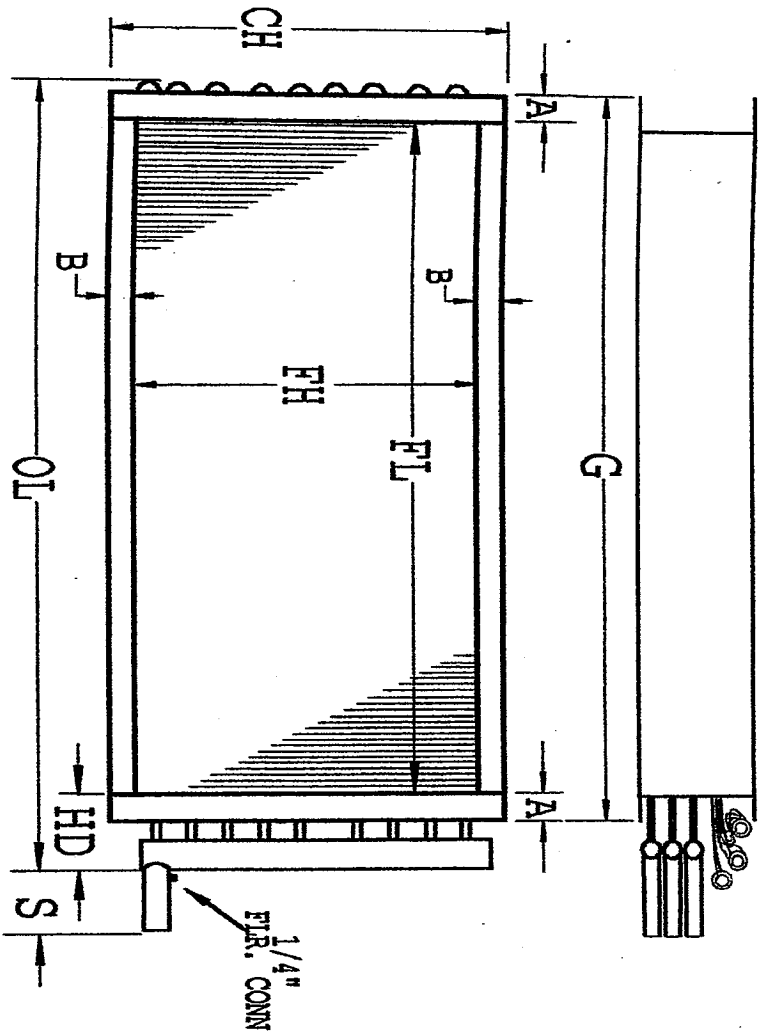
DIRECT EXPANSION COILS  
 DUAL CIRCUIT - INTERMIXED



ITEM NO.	MEMORY TAG:	ROW	FPI	FH	FL	A1	A2	B	CH	OL	CD	S	HA	HB	CB	HD	CKT	HAND
1																		
2																		
3																		
4																		
5																		

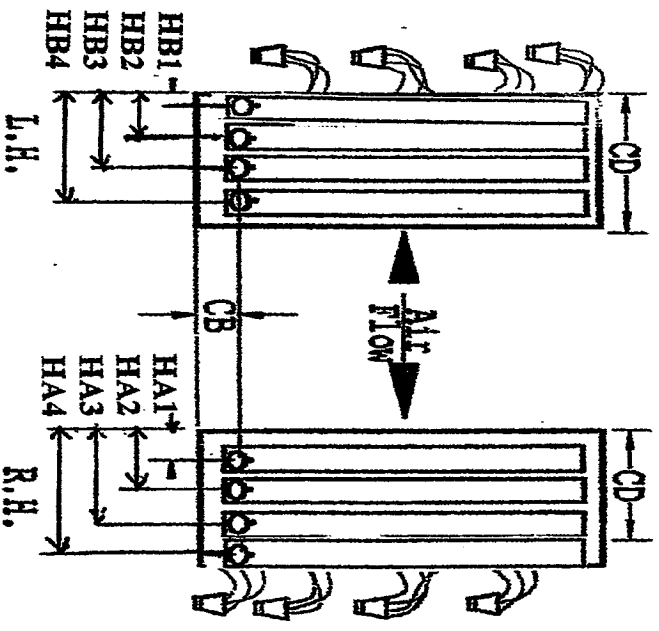
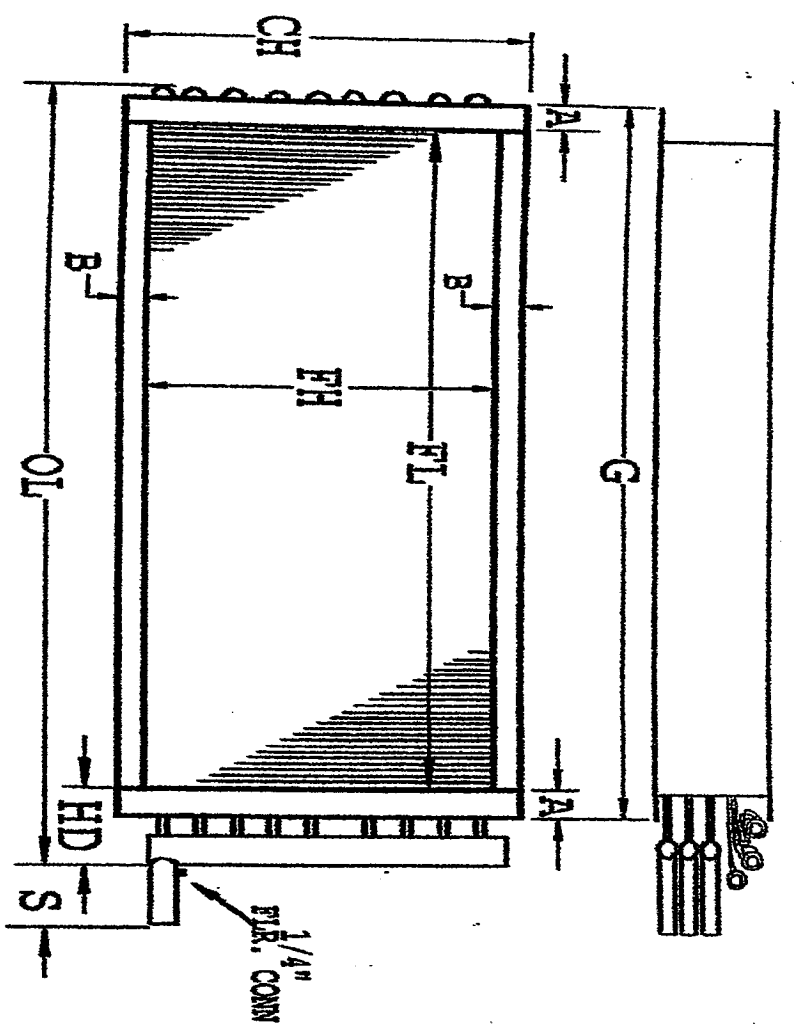
FINS		TUBES		CASING		CONNECTIONS		NOTES
<input type="checkbox"/> Flat	<input type="checkbox"/> Corr	<input type="checkbox"/> 1/2	<input type="checkbox"/> 5/8	<input type="checkbox"/> 18 GA	<input type="checkbox"/> 16 GA	<input type="checkbox"/> Copper	<input type="checkbox"/> Sweat	
<input type="checkbox"/> Alum	<input type="checkbox"/> .006	<input type="checkbox"/> .017	<input type="checkbox"/> .020	<input type="checkbox"/> GALV	<input type="checkbox"/> SS	ITEM	Suction	Liquid
<input type="checkbox"/> .008	<input type="checkbox"/> .025	<input type="checkbox"/> .025		OTHER:		1		
<input type="checkbox"/> .010	<input type="checkbox"/> .032	<input type="checkbox"/> .035		Flange Type		2		
<input type="checkbox"/> CU	<input type="checkbox"/> .049	<input type="checkbox"/> .049		Stacking Standard		3		
						4		
						5		



PH (800) 430-2536  
 FAX (800) 718-3738

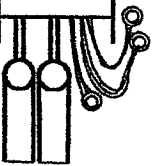
3 CIRCUIT  
 INTERMEDIATE SPLIT  
 DX COILS

QTY	TAG:	ROW	FPI	FH	FL	A	B	CH	OL	G	CD	S	HA	HB	CB	HD	CKT	HAND
<b>FINNS</b>		<b>TUBES</b>		<b>CASING</b>		<b>CONNECTIONS</b>		<b>NOTES</b>										
<input type="checkbox"/> Flat	<input type="checkbox"/> Corr	<input type="checkbox"/> 1/2	<input type="checkbox"/> 5/8	<input type="checkbox"/> 18 GA	<input type="checkbox"/> 16 GA	<input type="checkbox"/> GALV	<input type="checkbox"/> SS	<input type="checkbox"/> Copper	<input type="checkbox"/> Sweat									
<input type="checkbox"/> Alum	<input type="checkbox"/> .006	<input type="checkbox"/> .017	<input type="checkbox"/> .020	OTHER:		SUCTION												
<input type="checkbox"/> .008	<input type="checkbox"/> .025	<input type="checkbox"/> .025	OTHER:		LIQUID													
<input type="checkbox"/> CU	<input type="checkbox"/> .010	<input type="checkbox"/> .032	<input type="checkbox"/> .035	OTHER:		HDR DIA.												
		<input type="checkbox"/> .049		OTHER:														



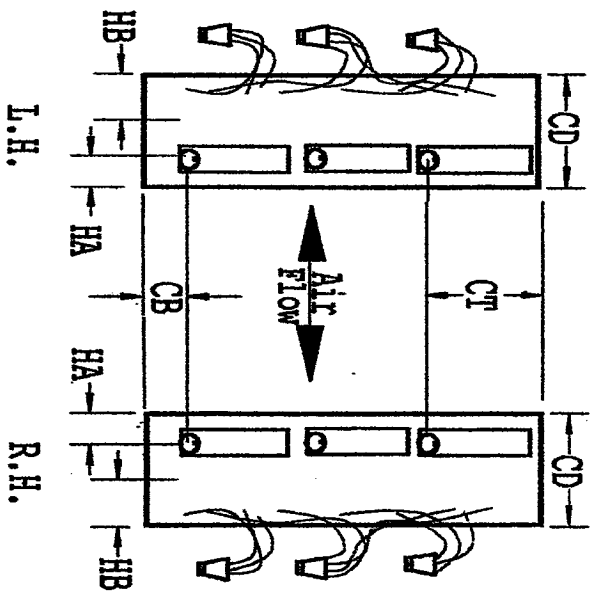
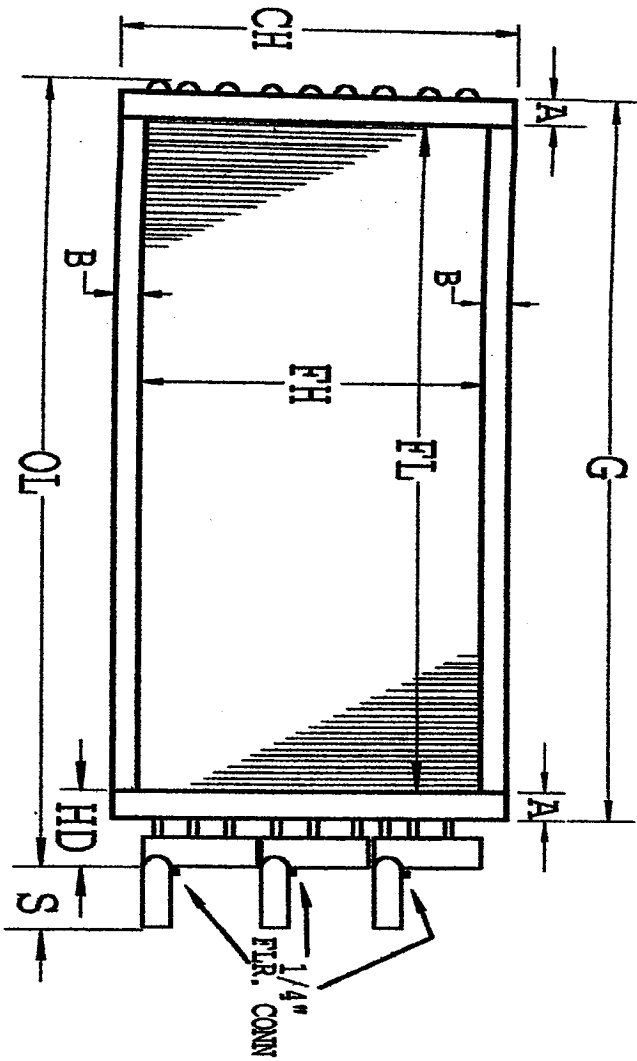
**SFI** SOLUTIONS  
 For Industry Inc.  
 PH (800) 430-2536  
 FAX (800) 718-3738  
 4 CIRCUIT  
 ROW SPLIT /  
 INTERTWINED  
 DX COIL

QTY TAG:	ROW	FPI	FH	FL	A	B	CH	OL	G	CD	S	HA	HB	CB	HD	CKT	HAND
<b>FINNS</b>	<b>TUBES</b>	<b>CASING</b>		<b>NOTES</b>													
<input type="checkbox"/> Flat <input type="checkbox"/> corr	<input type="checkbox"/> 1/2 <input type="checkbox"/> 5/8	<input type="checkbox"/> 18 GA <input type="checkbox"/> 16 GA	<input type="checkbox"/> GALV <input type="checkbox"/> SS														
<input type="checkbox"/> Alum <input type="checkbox"/> .006	<input type="checkbox"/> .017 <input type="checkbox"/> .020	OTHER:															
<input type="checkbox"/> .008	<input type="checkbox"/> .025 <input type="checkbox"/> .025	Flange Type															
<input type="checkbox"/> CU <input type="checkbox"/> .010	<input type="checkbox"/> .032 <input type="checkbox"/> .035	Stacking Standard															
	<input type="checkbox"/> .049	HDR DIA.															
<b>CONNECTIONS</b>		<input type="checkbox"/> Copper	<input type="checkbox"/> Sweat														
<b>SUCTION</b>																	
<b>LIQUID</b>																	

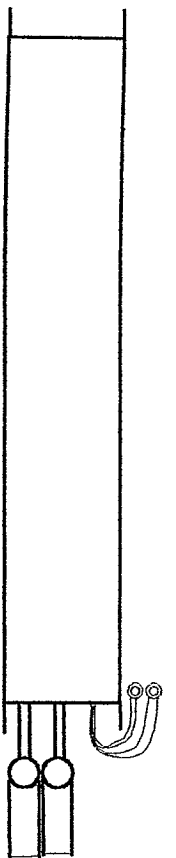


PH (800) 430-2536  
 FAX (800) 718-3738

3 CIRCUIT  
 FACE SPLIT  
 DX COILS

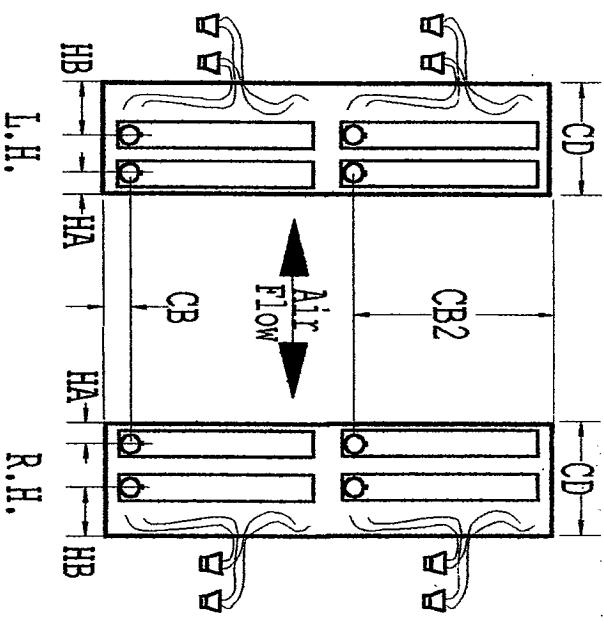
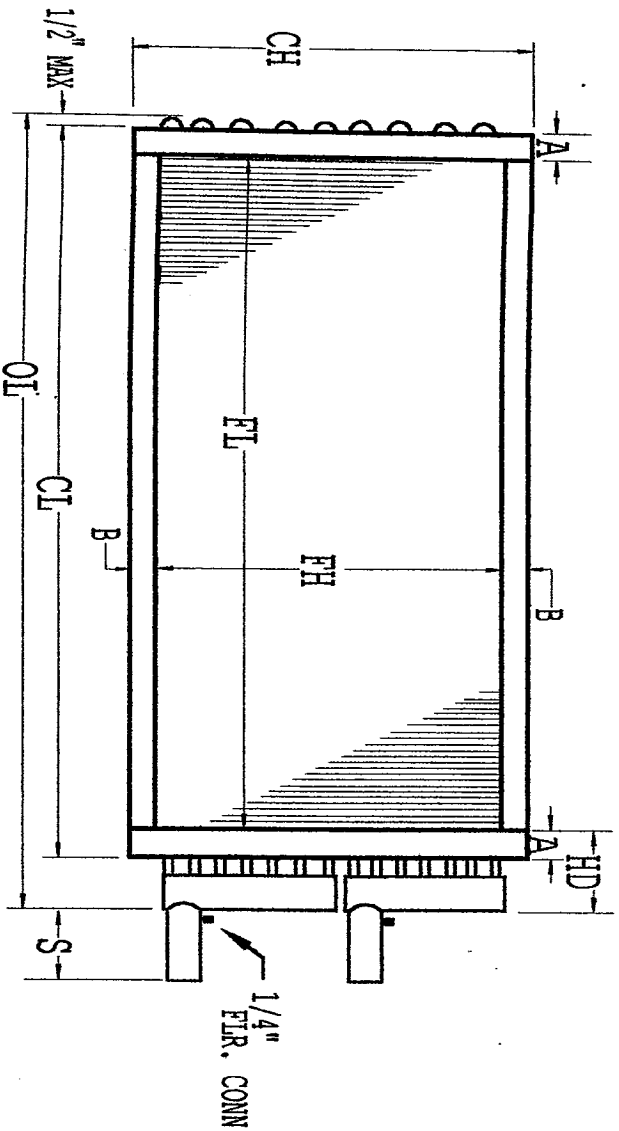


QTY TAG:	ROW	FPI	FH	FL	A	B	CH	OL	G	CD	S	HA	HB	CT	CB	HD	HAND
<b>FINNS</b>	<b>TUBES</b>	<b>CASING</b>	<b>CONNECTIONS</b>														
<input type="checkbox"/> Flat <input type="checkbox"/> Corr	<input type="checkbox"/> 1/2 <input type="checkbox"/> 5/8	<input type="checkbox"/> 18 GA <input type="checkbox"/> 16 GA	<input type="checkbox"/> Copper <input type="checkbox"/> Sweat		<b>NOTES</b>												
<input type="checkbox"/> Alum <input type="checkbox"/> .006	<input type="checkbox"/> .017 <input type="checkbox"/> .020	<input type="checkbox"/> GALV <input type="checkbox"/> SS	SUCTION _____		COIL CIRCUITING:												
<input type="checkbox"/> .008	<input type="checkbox"/> .025 <input type="checkbox"/> .025	OTHER: _____	LIQUID _____														
<input type="checkbox"/> CU <input type="checkbox"/> .010	<input type="checkbox"/> .032 <input type="checkbox"/> .035	Flange Type _____ Stacking Standard _____	HDR DIA. _____														



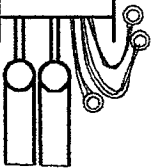
**SFI** Solutions  
For Industry Inc.  
DH (800) 430-2536  
EXX (800) 718-3738

**DX COILS: 4 CKT  
INVERTER/INVERTED & FACE SPLIT**



OPTV	TAG:	ROW	FPT	FH	FL	A	B	CH	OL	CL	CD	S	HA	HB	CB	CB2	HD	CKT	HAND
<b>FINNS</b>		<b>TUBES</b>		<b>CASING</b>		<b>CONNECTIONS</b>				<b>NOTES</b>									
<input type="checkbox"/> Flat <input type="checkbox"/> corr		<input type="checkbox"/> 1/2 <input type="checkbox"/> 5/8		<input type="checkbox"/> 18 GA <input type="checkbox"/> 16 GA		<input type="checkbox"/> Copper <input type="checkbox"/> Suction		<input type="checkbox"/> Sweat <input type="checkbox"/> Liquid											
<input type="checkbox"/> Alum <input type="checkbox"/> .006		<input type="checkbox"/> .017 <input type="checkbox"/> .020		<input type="checkbox"/> GALV <input type="checkbox"/> SS															
<input type="checkbox"/> .008 <input type="checkbox"/> .010		<input type="checkbox"/> .025 <input type="checkbox"/> .035		<input type="checkbox"/> OTHER: _____															
<input type="checkbox"/> CU <input type="checkbox"/> .010		<input type="checkbox"/> .032 <input type="checkbox"/> .049		<input type="checkbox"/> Flange Type _____															
				<input type="checkbox"/> Stacking Standard _____															

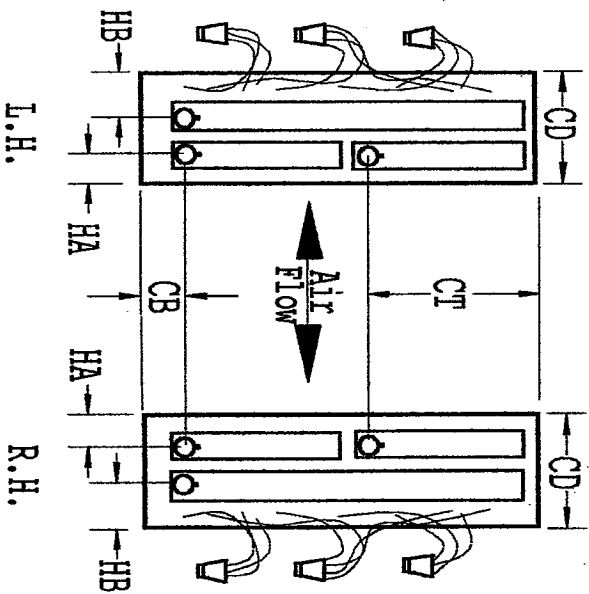
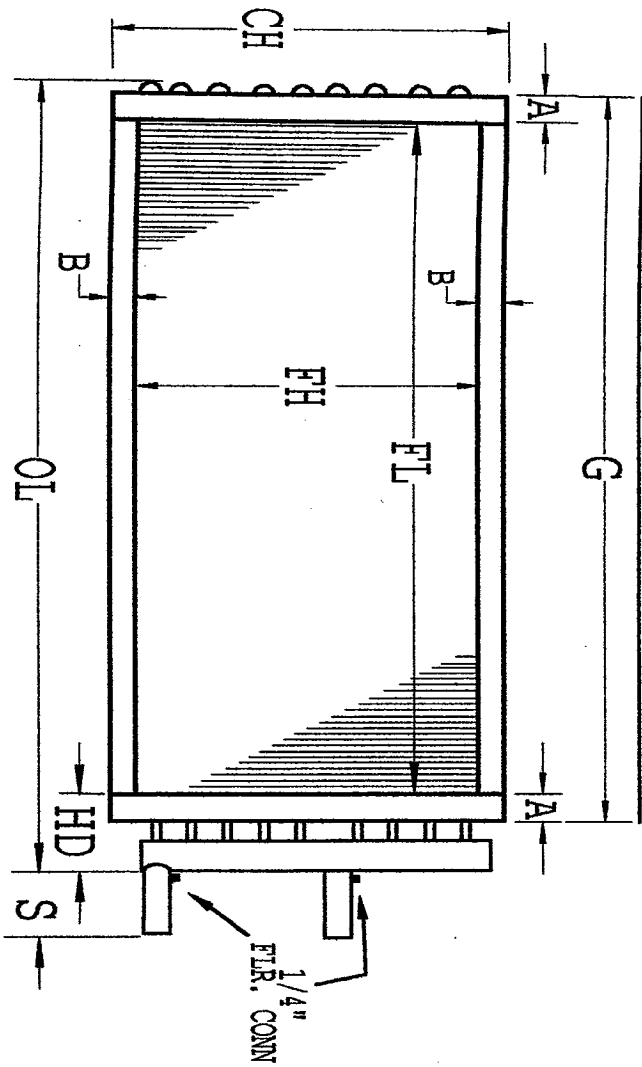




**SFI** Solutions  
For Industry Inc.

PH (800) 430-2536  
FAX (800) 718-3738

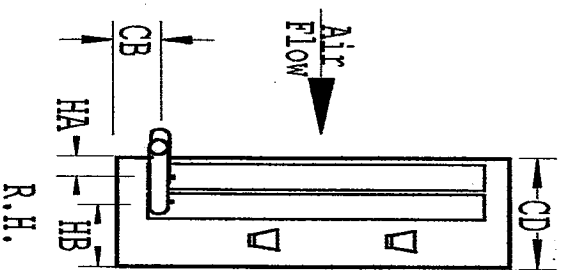
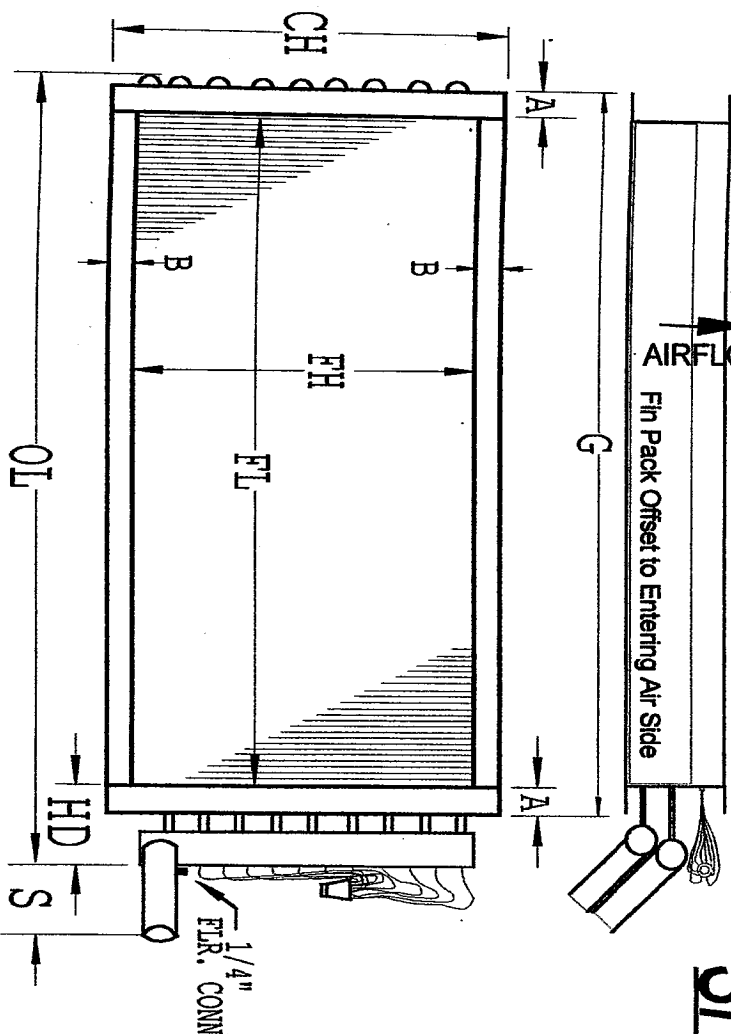
3 CIRCUIT  
FACE / ROM SPLIT  
DX COILS



QTY TAG:	ROM	FPI	FH	FL	A	B	CH	OL	G	CD	S	HA	HB	CT	CB	HD	HAND
<p><b>FINNS</b></p> <p><input type="checkbox"/> Flat <input type="checkbox"/> Corr</p> <p><input type="checkbox"/> Alum <input type="checkbox"/> .006</p> <p><input type="checkbox"/> .008</p> <p><input type="checkbox"/> CU <input type="checkbox"/> .010</p> <p><b>TUBES</b></p> <p><input type="checkbox"/> 1/2 <input type="checkbox"/> 5/8</p> <p><input type="checkbox"/> .017 <input type="checkbox"/> .020</p> <p><input type="checkbox"/> .025 <input type="checkbox"/> .025</p> <p><input type="checkbox"/> .032 <input type="checkbox"/> .035</p> <p><input type="checkbox"/> .049</p> <p><b>CASING</b></p> <p><input type="checkbox"/> 18 GA <input type="checkbox"/> 16 GA</p> <p><input type="checkbox"/> GALV <input type="checkbox"/> SS</p> <p>OTHER: _____</p> <p>Flange Type _____</p> <p>Stacking Standard _____</p> <p><b>CONNECTIONS</b></p> <p><input type="checkbox"/> Copper <input type="checkbox"/> Sweat</p> <p>SUCTION _____</p> <p>LIQUID _____</p> <p>HDR DIA. _____</p> <p><b>NOTES</b></p> <p>COIL CIRCUITING:</p>																	

AIRFLOW

Fin Pack Offset to Entering Air Side



**SFI** Solutions  
For Industry Inc.

PH (800) 430-2536  
FAX (800) 718-3738

DIRECT EXPANSION COILS  
DUAL CIRCUIT INTERMIXED

QTY TAG:	ROW	FPI	FH	FL	A	B	CH	OL	G	CD	S	HA	HB	CB	HD	CKT	HAND
<b>FINNS</b>	<b>TUBES</b>		<b>CASING</b>		<b>CONNECTIONS</b>												
<input type="checkbox"/> Flat <input type="checkbox"/> Corr	<input type="checkbox"/> 1/2 <input type="checkbox"/> 5/8	<input type="checkbox"/> 18 GA <input type="checkbox"/> 16 GA	<input type="checkbox"/> Copper	<input type="checkbox"/> Sweat													
<input type="checkbox"/> Alum <input type="checkbox"/> .006 <input type="checkbox"/> .008 <input type="checkbox"/> .010	<input type="checkbox"/> .017 <input type="checkbox"/> .020 <input type="checkbox"/> .025 <input type="checkbox"/> .032 <input type="checkbox"/> .049	<input type="checkbox"/> GALV <input type="checkbox"/> SS	OTHER:														
<input type="checkbox"/> CU	Flange Type		Stacking														

**NOTES**

- 1) Suction stubs rotated 45 deg as shown.
- 2) Keep Distributors within CD
- 3) HA & HB as req'd. Offset fin-pack to entering air side.

Note 3